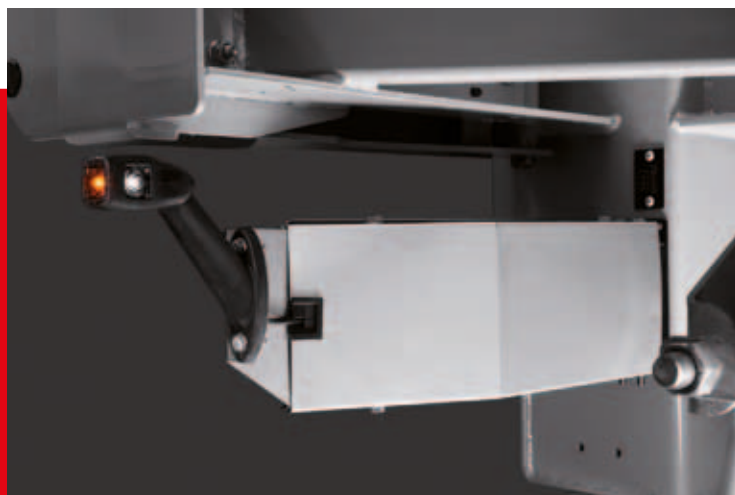


# Flex-C LED



Driving in all weathers, both in daytime and at night, transport vehicle drivers and road users must be sure they can be clearly seen and that their rear lights are in perfect state of repair. Unfortunately, during their many manoeuvres, the rear ends of vehicles are often damaged and the signalling lights are the first to suffer.

To enable drivers to avoid accidents due to rear signal failures, as well enabling haulage companies to avoid the cost of repairing the lights, the CHEREAU R&D team has developed the Flex-C LED system.



## The solution

**Flex-C LED is a patented solution that keeps the risk of damaging rear lights to a minimum.**

This solution, developed by CHEREAU, enables drivers to protect signalling lights when approaching loading bays, by ensuring they retract towards the front of the vehicle in the event of interference with any obstacle. Once protected, they can no longer be damaged, yet they allow drivers to approach bays at night in strict compliance with European legislation as regards signalling lights. Automatic memory of their road position reassures drivers that the lights are always operational when they are on the road.

Flex-C LED is also a safety solution, as drivers receive a dashboard warning in the event of failure of one of the essential signalling functions.

## The benefits

**With its single electrical connection, the Flex-C LED system is quick to install. Watertight, reliable and resistant, it works effectively in even the most extreme situations. The Flex-C LED system complies with all current standards.**

In the event of a failure, drivers are warned by a dashboard alarm that one of the main signalling functions has been damaged. Using the Flex-C LED system, haulage companies can reduce vehicle maintenance costs. This product provides an unrivalled technical and cost-effective solution. This is CHEREAU quality and innovation.



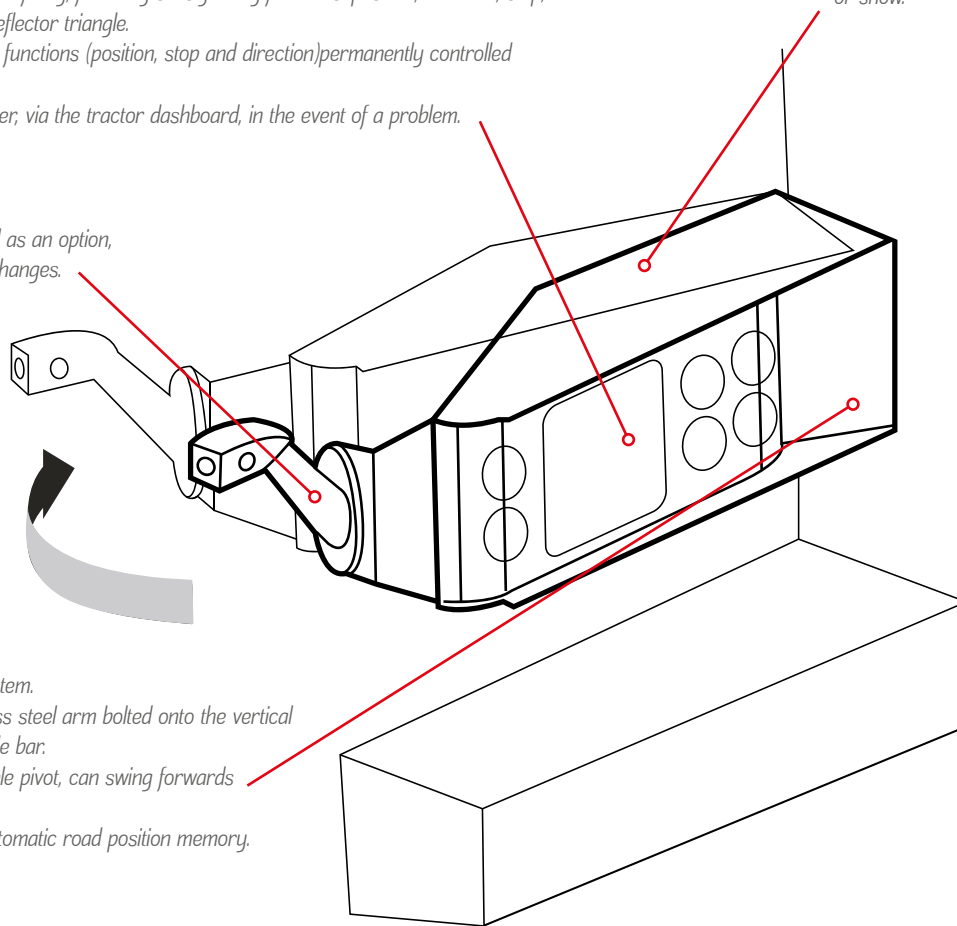
# Flex-C LED



## > Flex-C LED

- Device comprises the Full LED light, mounted on an exclusive, patented, pivoting support.
- Unbreakable LED light fitting, featuring six signalling functions: position, direction, stop, reversing, fog and reflector triangle.  
3 essential signalling functions (position, stop and direction) permanently controlled by an electronic box.  
Warning sent to driver, via the tractor dashboard, in the event of a problem.
- The Flex-C LED system connections are protected by a stainless steel shielding that makes the device watertight and reliable. This shielding also prevents direct splashes and the accumulation of sand or snow.

- Stalk lights accepted as an option, without any wiring changes.



- Patented pivoting system.
- Comprises a stainless steel arm bolted onto the vertical strut of the underride bar.
- The arm, via a flexible pivot, can swing forwards by up to 25°.
- Device fitted with automatic road position memory.

> The Flex-C LED is available as an option on all CHEREAU semi-trailers and trailers, with or without rear lifting platforms, although some exceptional configurations may require preliminary technical validation.

The Flex-C LED can also be mounted on vehicles already in use and is exclusively distributed by CHEREAU Services or an approved Service Agent.



INNOVATION DRIVES YOU FORWARD